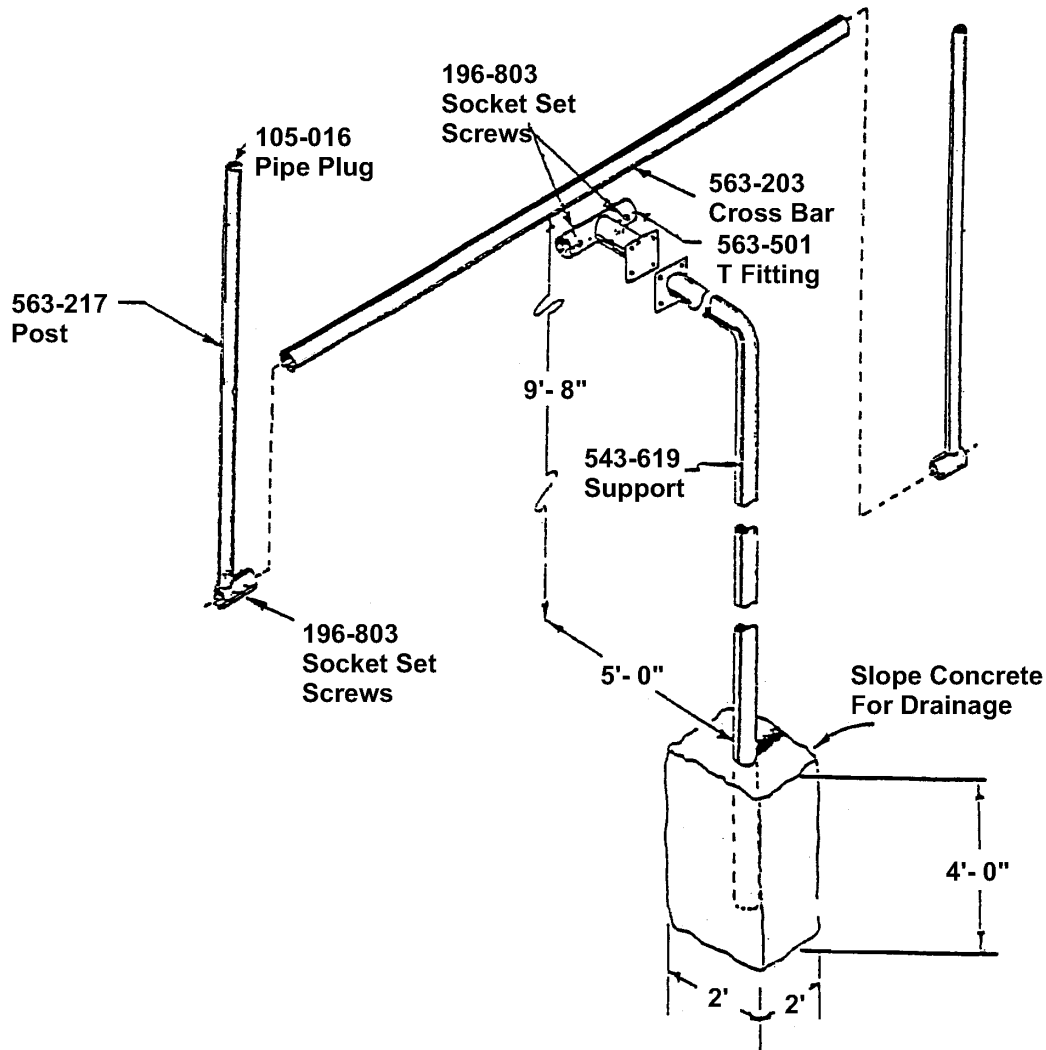


561-445 Pitchfork Football Goal - Pair

Page 1 of 2
Rev. 05/21/08

IMPORTANT

PLEASE READ THESE INSTRUCTIONS BEFORE COMMENCING ASSEMBLY. All equipment must be installed in accordance with these instructions. Check your shipment against Bill of Lading and Parts list. Any missing or broken parts must be reported to your distributor within 14 days of receipt of your order. When properly installed and maintained, equipment will give many years of Safe, Trouble-Free use. Periodically check for loose or broken parts. Loose bolts must be tightened and broken parts must be replaced as they can possibly create dangerous situations leading to unnecessary accidents.



PACKING LIST

1	CTN	1	Hardware Bag
2	WF	2	563-501 T Fitting
2	WF	2	543-619 Support 4 1/2" OD x 13'
4	WF	4	563-217 Post 1 7/8" OD x 10'
2	PIPE	2	563-203 Cross Bar 3 1/2" OD x 23'8"

HARDWARE BAG

4	105-016	1	7/8" Pipe Plug
8	116-604		3/8" x 1" Hex Bolt
8	226-601		3/8" Lock Nut
12	196-803		1/2" x 3/4" Socket Set Screw
1	416-400		1/4" Socket Key

1 CTN	2 PIPE	8 WF	11 TOTAL PCS	660 # Weight	Class 70
-------	--------	------	--------------	--------------	----------

561-445 Pitchfork Football Goal - Pair

Page 2 of 2
Rev. 05/21/08

ASSEMBLY AND INSTALLATION:

NOTE: All threaded ends of bolts protruding beyond nuts must be cut off and/or peened to eliminate sharp edges. No more than two threads should extend beyond face of nut. All washers, "T" nuts, and other fastener hardware used on round pipe or tubing must be hammered down to conform to the curved underlying surface to eliminate catch points. DO NOT tighten nuts more than hand-tight until entire assembly is completed.

STEP #1: Mark and dig footing holes according to directions on Page 1.

STEP #2: Assemble Goal posts on the ground

STEP #3: Pour footings using:

24 - 80lb. Bags Pre-Mix Cement - 12 bags per hole.

Place bricks or old cement chunks below the posts to allow wet cement under the post. Be sure to maintain the height per diagram on page 1.

Be sure to 'cone' the top of the pour for drainage.

STEP #4: Plumb and level posts.

STEP #5: Brace posts until cement is dry.

NOTES: Wait 48 hours for concrete to harden before using unit.

DO NOT install where overhead electrical wires are present.

If flexing of crossbar occurs, loosen setscrews and turn cross bar 180 degrees. Tighten setscrews where bent post connects to cross bar. Reset uprights to correct position and tighten setscrews.

MAINTENANCE INSTRUCTIONS:

Check periodically for loose bolts, broken parts and replace immediately.